

# BLUMOTION for doors (COMPACT)

## Application

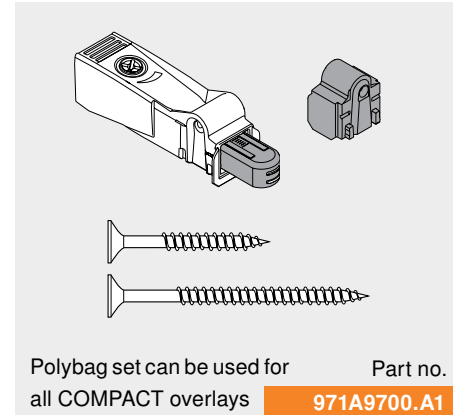


## Description

- Offers the same quality of motion as Blum drawer systems with BLUMOTION
- Adjustable for various door sizes and weights
- Installs on the hinge side of the cabinet
- Nickel plated zinc die cast construction
- Designed for use with Blum COMPACT hinges



## BLUMOTION polybag set



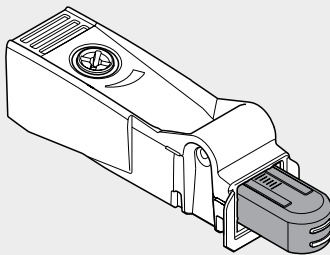
Polybag set can be used for all COMPACT overlays

Part no.

**971A9700.A1**

## Individual parts

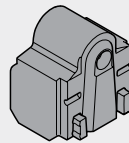
### BLUMOTION mechanism



Part no.

**971A9700**

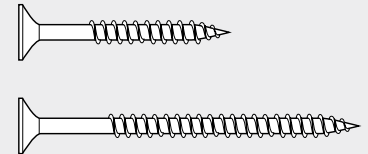
### Partial overlay spacer



Part no.

**971A9709**

### Wood screws



Part no.

#8 x 1-1/4"

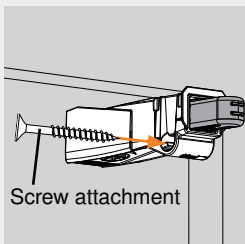
**8114Z**

#8 x 2"

**8200Z**

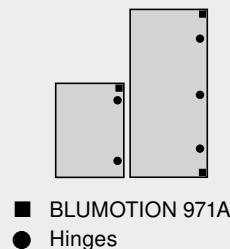
## Specifications

### Mounting



BLUMOTION for doors mounts anywhere on the hinge-side style of the cabinet using a 1-1/4" (or 2" screw when using spacer).

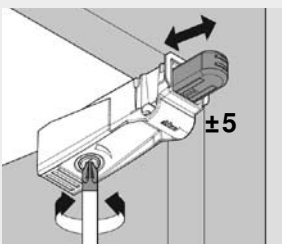
### Number per door



One BLUMOTION for doors for COMPACT is enough for most applications. For larger or heavier doors two or more may be required.

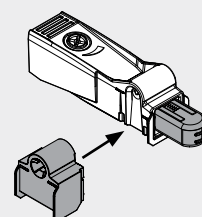
**\*Trial application recommended.**

### Adjustment



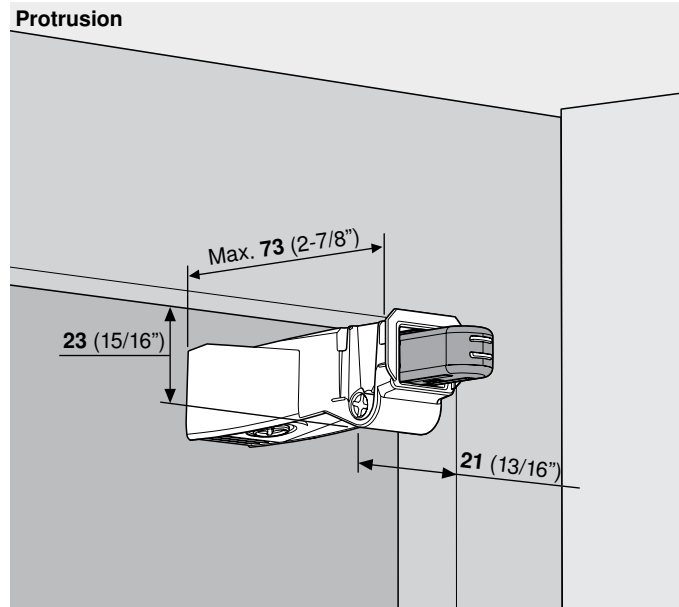
Use a Phillips or POZI screw driver to adjust the contact point in or out 5 mm. Adjust out for larger, heavier doors or in for smaller, lighter doors.

### Attachment of partial overlay spacer



The partial overlay spacer snaps on to the side of the BLUMOTION for easier mounting.

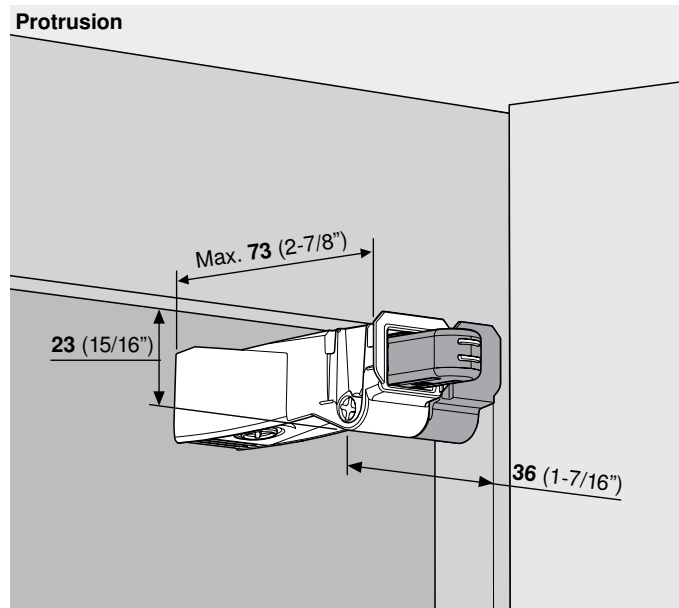
## Full overlay application (1" or greater overlay)



Part no.

BLUMOTION mechanism	971A9700
#8 x 1-1/4" wood screw	8114Z

## Partial overlay application (less than 1" overlay)



Part no.

BLUMOTION mechanism	971A9700
Partial overlay spacer	971A9709
#8 x 2" wood screw	8200Z